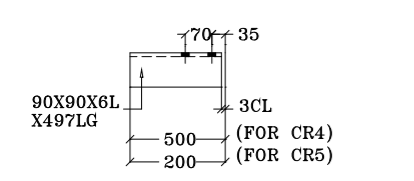


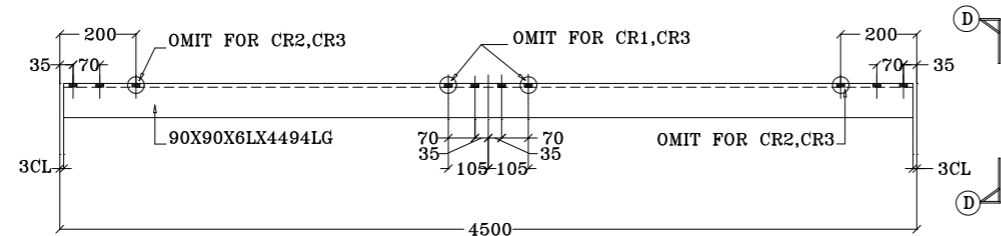
**GENERAL ARRANGEMENT OF CLADDING RUNNERS  
(VIEW LOOKING FROM WEST)**



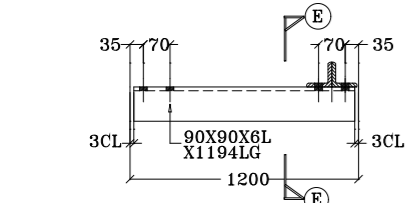
**6 NOS CLADDING RUNNERS**  
REQD AS DRAWN MKD - CR4

**3 NOS CLADDING RUNNERS**  
REQD AS DRAWN MKD - CR5

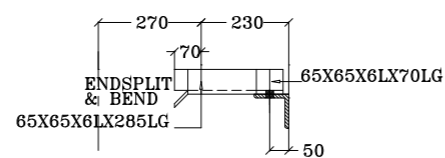
**6 NOS CLADDING RUNNERS**  
REQD AS DRAWN MKD - CR5X



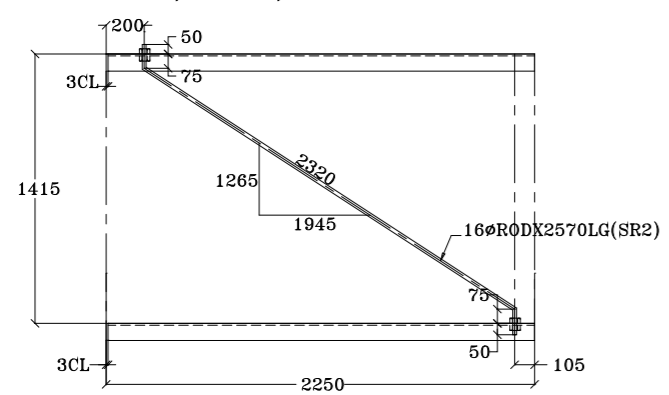
**24 NOS CLADDING RUNNERS** REQD AS DRAWN  
& NOTED MKD - 5/CR1, 5/CR2, 14/CR3



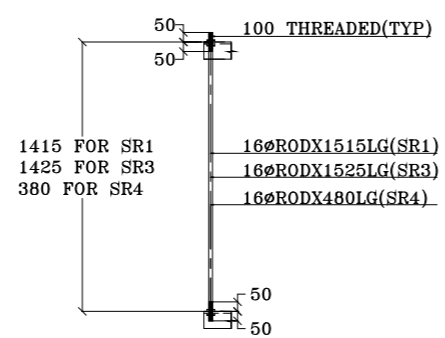
**2 PAIRS CLADDING RUNNERS** REQD AS DRAWN  
& NOTED MKD - 2/CR6, 2/CR6X



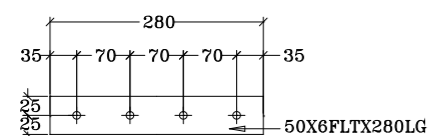
**6 NOS ANCHOR CLEATS**  
REQD AS DRAWN MKD - AC3



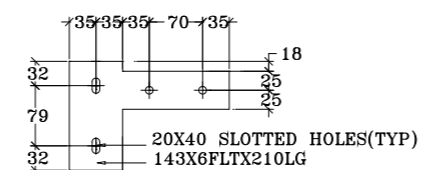
**10 NOS SAGRODS** REQD AS DRAWN MKD - SR2



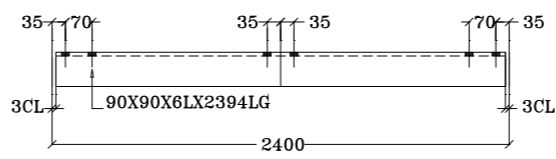
**16 NOS SAGRODS** REQD AS DRAWN  
& NOTED MKD - 5/SR1, 8/SR3, 3/SR4



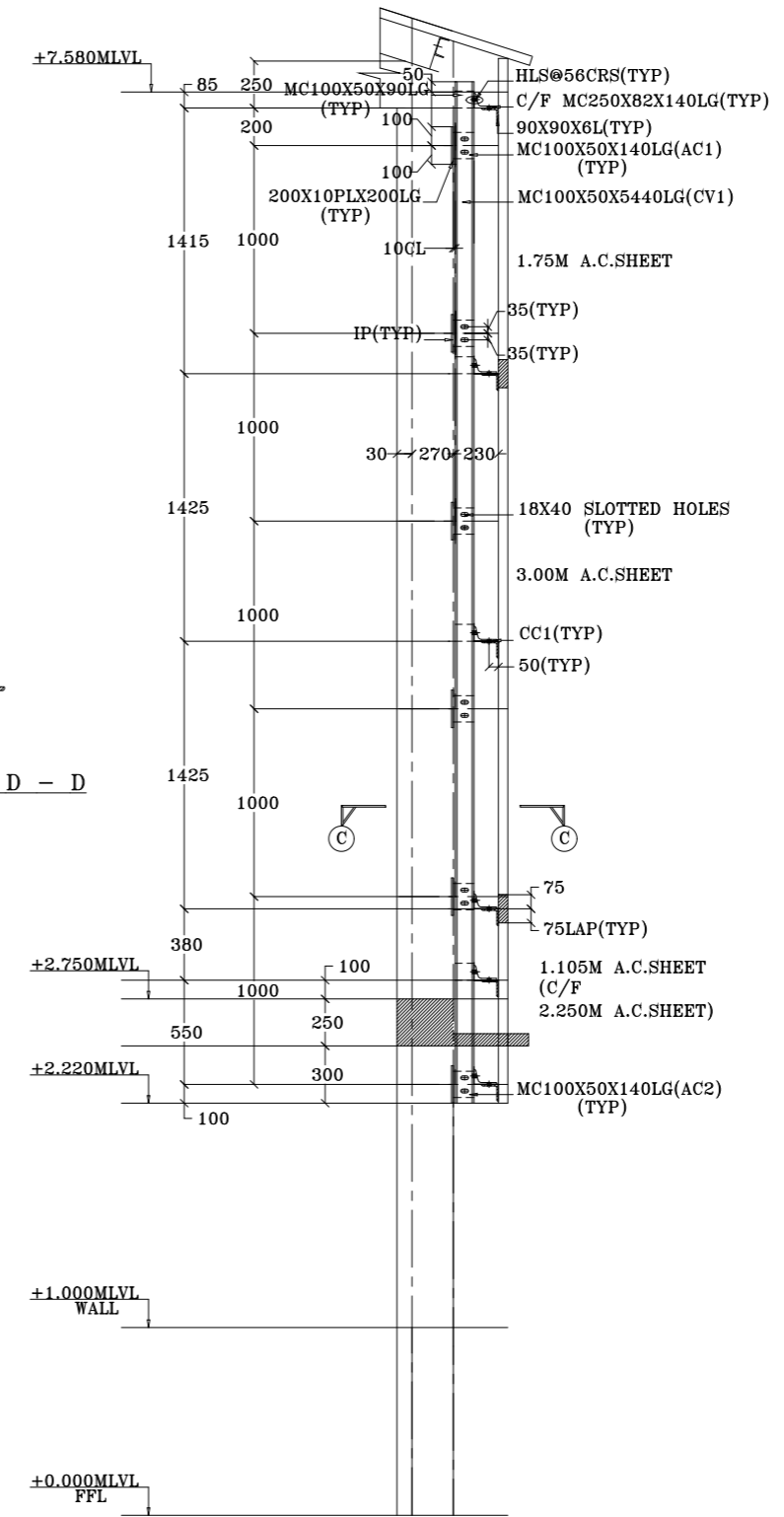
**29 NOS FISHPLTS** REQD AS DRAWN MKD - F1



**3 NOS FISHPLTS** REQD AS DRAWN MKD - F2

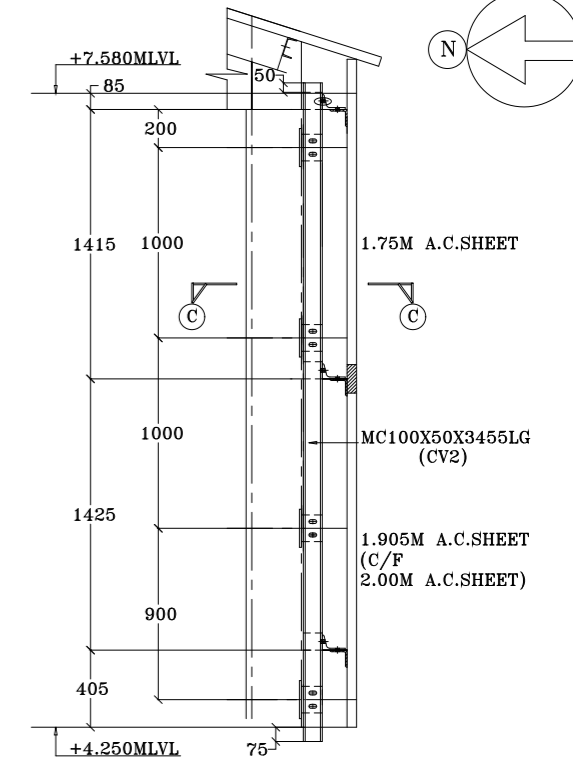


**1 NO CLADDING RUNNER**  
REQD AS DRAWN MKD - CR7



**ENLARGED VIEW ON A - A**

**4 NOS CLADDING VERTICALS** REQD AS DRAWN MKD - CV1  
**24 SETS PACKING PLATES** REQD AS DRAWN MKD - PK1  
**24 NOS ANCHOR CLEATS** REQD AS DRAWN MKD - 16/AC1.8/AC2  
**24 NOS CLADDING CLEATS** REQD AS DRAWN MKD - CC1



**ENLARGED VIEW ON B - B**

**1 NO CLADDING VERTICAL**  
REQD AS DRAWN MKD - CV1

**3 SETS PACKING PLATES**  
REQD AS DRAWN MKD - PK1

**4 NOS ANCHOR CLEATS**  
REQD AS DRAWN MKD - AC1

**3 NOS CLADDING CLEATS**  
REQD AS DRAWN MKD - CC1

**GENERAL NOTE**  
UNLESS OTHERWISE STATED  
ALL DIMENSIONS ARE IN MM  
ALL HOLES 17.5 DIA FOR 16 DIA BOLTS  
ALL WELDS 6MM THK FILLET  
ALL GUSSETS ARE 10 MM THK PLATE  
STEEL WORK TO BE GIVEN A COAT OF  
RED OXIDE PAINT BEFORE DESPATCH

Client M/S TUBE PRODUCTS OF INDIA AVADI CHENNAI	
Project PROP EXTENSION OF GENERATOR SHED	
Title CLADDING RUNNERS	
DRAWN : M.V.C.	SCALE - 1:10;20;75
CHECKED:	DATE : 03/05/2000
M/s. C.R. NARAYANA RAO. ARCHITECTS & ENGINEERS, LUZ, MADRAS-4.	
B.TECH(HONS), M.S.(ILL), Ph.D, M.Am Soc.C.E. F.I.E, F.I.V, REGD ARCHITECT, Chartered Engineer	
DRG. NO.	